

GRUPPOLUBE

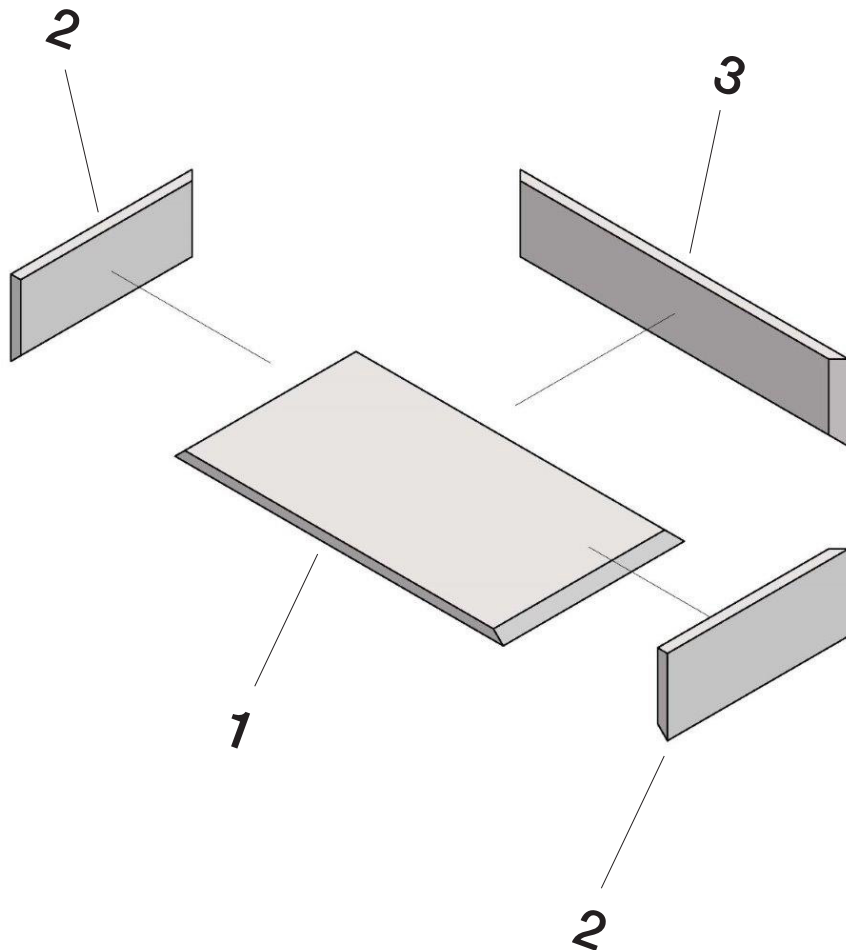


VASCHETTA "TRAY"

2024

SPECIFICHE TECNICHE VASCHETTA "TRAY"

"TRAY" TRAY TECHNICAL SPECIFICATIONS



- PROFONDITÀ 310-480 mm
DEPTH 310-480 mm

- STRUTTURA SPESSORE 18 mm
THICK STRUCTURE 18 mm

- REALIZZATI IN FOLDING (escluso laccato lucido e wood)
(disponibili per modelli con anta sp.18-20)
PRODUCED IN FOLDING (excluding glossy lacquer and wood)
(available for models with 18-20 door thickness)

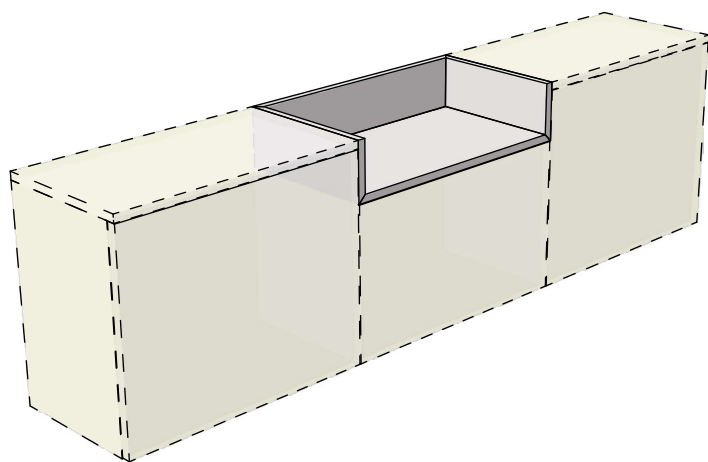


1: Fondo folding
Folding bottom

2: Fianchi folding
Folding side panels

3: Schiena folding
Folding back panel

Vaschetta L 60,75,90,120 H 13,8 per mobili PROF.31 + SP.anta 18-20
Tray L 60,75,90,120 H 13,8 for furniture DEEP.31 + TH.door 18-20



Vaschetta L 60,75,90,120 H 13,8 per mobili PROF.48 + SP.anta 18-20
Tray L 60,75,90,120 H 13,8 for furniture DEEP.48 + TH.door 18-20

